

भारतीय मानक
चकोरदार सीमेंट कंक्रीट टाइलें — विशिष्टि
(पहला पुनरीक्षण)

Indian Standard
CHEQUERED CEMENT CONCRETE TILES —
SPECIFICATION
(*First Revision*)

ICS 91.100.30

© BIS 2013

BUREAU OF INDIAN STANDARDS
MANAK BHAVAN, 9 BHADUR SHAH ZAFAR MARG
NEW DELHI 110002

FOREWORD

This Indian Standard (First Revision) was adopted by the Bureau of Indian Standards, after the draft finalized by the Flooring Wall Finishing and Roofing Sectional Committee had been approved by the Civil Engineering Division Council.

Chequered cement concrete flooring tiles are mostly used for footpaths, driveways, entrance and stair-cases of public buildings, passages of auditoriums and storage godowns, etc. Large number of cement concrete chequered tiles are being manufactured and used in our country. This standard was first published in 1993 in order to provide necessary guidance to manufacturers and users of cement concrete chequered tiles.

This revision has been undertaken to keep abreast with the experience gained while applying the provisions of the earlier version and to include further modifications in light of the same. Chequered cement concrete tiles have traditionally been manufactured by pressure process. Tiles are also being manufactured by other processes such as vibration process, either alone or in combination with pressure process. This standard however leaves it to the manufacturer to adopt any process of manufacturer. The following major changes have been incorporated in this revision:

- a) Classification of chequered cement concrete tiles introduced;
- b) Requirement on thickness of tiles including tolerance has been re-defined and minimum thickness specified separately for single layer/mono-layer and double layer tiles; and
- c) Additional size of 400 mm introduced;

The composition of the Committee responsible for the formulation of this standard is given in Annex H.

For the purpose of deciding whether a particular requirement of this standard is complied with, the final value, observed or calculated, expressing the result of a test or analysis, shall be rounded off in accordance with IS 2 : 1960 'Rules for rounding off numerical values (*revised*)'. The number of significant places retained in the rounded off value should be the same as that of the specified value in this standard.

Indian Standard

CHEQUERED CEMENT CONCRETE TILES — SPECIFICATION

(*First Revision*)

1 SCOPE

This standard covers chequered cement concrete flooring tiles of plain, coloured and terrazo types.

2 REFERENCES

The standards listed in Annex A contain provisions which through reference in this text, constitute provisions of this standard. At the time of publication, the editions indicated were valid. All standards are subject to revision and parties to agreements based on this standard are encouraged to investigate the possibility of applying the most recent editions of the standards indicated in Annex A.

3 TERMINOLOGY

For the purpose of this standard the definitions given in IS 1237 and the following shall apply.

3.1 Chequered Tiles — Chequered tiles are cement tiles or terrazzo tiles having grooves on the surface of the tile making it anti-slippery. The area of chequered grooves should not be less than 2 percent of the total surface area of the tile. The chequered groove can be in any shape and length, but the depth of the grooves should not be less than 3 mm.

3.2 Plain Chequered Tiles — Chequered tiles, in the manufacture of which pigments and stone chips are not used in the wearing surface.

3.3 Chequered Coloured Tiles — Chequered tiles having a plain wearing surface wherein pigments are used but not stone chips.

3.4 Terrazo Chequered Tiles — Chequered tiles at least 25 percent of whose wearing surface is composed of stone chips in a matrix of plain or coloured Portland cement mixed with or without pigments and mechanically ground and filled.

3.5 Monolayer Tiles — Chequered tiles on which there is only one layer that is wearing layer, and which does not contain backing layer.

3.6 Double Layer Tiles — Chequered tiles which contain a wearing layer as well as a backing layer.

4 CLASSIFICATION

4.1 Cement concrete chequered tiles shall be of two classes as given below depending on the duty they perform:

- a) *General Purpose Tiles* — Used for light traffic loads such as in entrances and staircases of office buildings, schools, colleges, hospitals and residential buildings and in footpaths and driveways within building compounds.
- b) *Heavy Duty Floor Tiles* — Used for heavy traffic conditions such as in industrial godowns and industrial workshop floors; platforms; ramps and entrances of public buildings; passages of auditoriums; and in public footpaths and pavements within commercial building compounds.

5 MATERIALS**5.1 Cement**

Cement used in the manufacture of tiles shall be 33 Grade ordinary Portland cement conforming to IS 269 or 43 Grade ordinary Portland cement conforming to IS 8112 or 53 Grade ordinary Portland cement conforming to IS 12269 or Portland pozzolana cement (flyash based) conforming to IS 1489 (Part 1) or Portland pozzolana cement (calcined clay based) conforming to IS 1489 (Part 2) or Portland slag cement conforming to IS 455 or rapid hardening Portland cement conforming to IS 8041 or white Portland cement conforming to IS 8042.

5.2 Aggregates

Aggregates used in the backing layer of tiles shall conform to the requirements of IS 383. For the wearing layer, unless otherwise specified aggregates shall consist of marble chips or any other natural stone chips of similar characteristics and hardness, marble powder or dolomite powder or mixture of the two.

5.3 Pigments

5.3.1 Pigments, synthetic or otherwise, used for colouring tiles shall have durable colour. It shall not contain matters detrimental to concrete and shall

IS 13801 : 2013

according to the colour required be one of the following or their combination:

| <i>Pigments</i> | <i>Relevant Indian Standard</i> |
|--------------------------------|------------------------------------|
| Black or red or brown pigments | IS 44 |
| Green pigments | IS 54 |
| Blue pigments | IS 55 or IS 56 or IS 3574 (Part 2) |
| White pigments | IS 411 |
| Yellow pigments | IS 50 or IS 3574 (Part 1) |

5.3.2 Colours other than mentioned above may also be used.

5.3.3 The pigments shall not contain zinc compounds or organic dyes.

5.3.4 Lead pigments shall not be used unless otherwise specified by the purchaser.

6 MANUFACTURE

6.1 Chequered cement concrete flooring tiles shall be manufactured from a mixture of cement, natural aggregates, and colouring materials where required, by pressure process or vibration or both so that the tiles meet the required strength.

NOTE — When manufactured by pressure process alone, the tiles shall be subjected to a pressure of not less than 14 N/mm².

6.2 The tiles shall be manufactured in single layer/mono-layer or in double layer.

6.3 The proportion of cement to aggregate in the backing of the double layer tiles shall be not leaner than 1 : 3 by mass. Single layer/mono-layer tiles shall have only the wearing layer.

6.4 Where colouring material is used in the wearing layer, it shall not exceed 10 percent by mass of cement used in the mix.

6.5 On removal from the mould, the tiles shall be kept in moist condition continuously for such a period that would ensure their conformity to the requirements of this standard.

7 DIMENSIONS

7.1 The size of chequered cement flooring tiles shall be as given in Table 1.

7.1.1 Half tiles rectangular in shape shall also be available. Half tiles for use with full tiles in the floor shall have dimensions which shall be such as to make two half tiles when joined together, to match with the dimensions of the one full tile.

Table 1 Size of Cement Concrete Flooring Tiles
(Clause 7.1)

All dimensions in millimetres.

| Sl No. | Length | Breadth | Minimum Thickness | |
|--------|--------|---------|---------------------------------|-------------------|
| | | | Single Layer or Mono-layer Tile | Double Layer Tile |
| (1) | (2) | (3) | (4) | (5) |
| i) | 200 | 200 | 17 | 22 |
| ii) | 250 | 250 | 17 | 22 |
| iii) | 300 | 300 | 20 | 25 |
| iv) | 400 | 400 | 20 | 25 |

NOTE — The thickness shall be measured at two points situated approximately 50 mm from the ends on the fracture line of the tile that was tested for wet transverse strength according to 12.5. The total thickness is the arithmetic mean of these two measurements.

8 TOLERANCES

8.1 Tolerances on length or breadth of tiles shall be ± 1 mm. In addition, the difference in length of side between the longest side and the shortest side in the sample shall not exceed 1 mm.

8.2 Tolerance on thickness shall be +15 percent of the minimum thickness (no tolerance on the negative side shall be permitted). In addition, the difference in thickness between the thickest and the thinnest tile in the sample shall not exceed 10 percent of the minimum thickness.

8.3 Thickness of Wearing Layer

8.3.1 The thickness of wearing layer measured from the top of the chequers shall be as specified in Table 2.

Table 2 Thickness of Wearing Layer for Double Layer Tiles

| Sl No. | Class of Tile | Minimum Thickness of Wearing Layer for Double Layer Tile |
|--------|--|--|
| (1) | (2) | mm (3) |
| i) | Chequered tiles, plain or coloured or terrazzo with chip size varying from the smallest up to 12 mm, for general purpose | 5 |
| ii) | Chequered terrazzo with chip size varying from the smallest up to 20 mm, for general purpose | 6 |
| iii) | Chequered tiles, plain or coloured or terrazzo with chip size varying from the smallest up to 20 mm, for heavy duty | 6 |

8.3.2 The thickness of the wearing layer shall be measured at several points along the fracture line of the tile that was tested for wet transverse strength in accordance with 12.5. The arithmetic mean of the two

measurements which yielded the lowest value shall be the minimum thickness of the wearing layer.

9 SPECIAL SHAPE AND SIZE

Shapes and sizes of tiles other than those specified in 7.1 may be manufactured when agreed upon between the supplier and the purchaser but the depth of the grooves shall not be less than 3 mm. The tiles shall also meet all other requirements of the standard.

NOTE — In rectangular tiles, the requirements for the difference in the length of sides as specified in 7.1 shall be applicable both to the length and width of the tiles.

10 GENERAL QUALITY

Unless otherwise specified, the tiles shall be supplied with initial grinding and grouting of the upper layer. The upper layer of the tiles shall be free from projections, depressions, cracks (hair cracks not included), holes, cavities and other blemishes. The edges of the wearing layer may be rounded.

11 FINISH

The colour and texture of the wearing layer shall be uniform throughout its thickness. No appreciable difference in the appearance of the tiles, from the point of view of colour of aggregate, its type and its distribution on the surface of the wearing layer shall be present.

NOTES

1 When indenting for coloured chequered tiles, the purchaser should specify the colour. It should be noted that due to the nature of the product, the range of colours for flooring tiles is limited and the tiles may not be produced to match all the colours. Purchasers are recommended to consult the manufacturers while selecting the colours of tiles which they wish to procure.

2 Exact matching of the shade of the colour may not be always possible in actual manufacture. There may be some variations in colour in different batches due to variations in the basic colour of raw materials.

12 PHYSICAL REQUIREMENT

12.0 The tests on tile shall not be carried out earlier than 28 days from the date of manufacture.

12.1 Flatness of the Tile Surface

When tested according to the procedure laid down in Annex B, the amount of concavity and convexity in the tiles shall not exceed 1 mm.

12.2 Perpendicularity

When tested in accordance with the procedure laid down in Annex C, the longest gap between the arm of the 'square' and the edge of the tiles shall not exceed 2 percent of the length of the edge.

12.3 Straightness

When tested according to the procedure given in Annex D, the gap between the thread and the plane of the tile shall not exceed 1 percent of the length of the edge.

12.4 Water Absorption

When tested according to the procedure laid down in Annex E, the average percent of water absorption shall not exceed 10.

12.5 Wet Transverse Strength

When tested according to the procedure laid down in Annex F, the average wet transverse strength shall not be less than 3 N/mm².

12.6 Resistance to Wear

When tested in the manner specified in Annex G, the wear shall not exceed the following values:

- a) *For general purpose chequered tiles :*
 - 1) Average wear : 3.5 mm
 - 2) Wear on individual specimen : 4 mm
- b) *For heavy duty chequered tile :*
 - 1) Average wear : 2 mm
 - 2) Wear on individual specimen : 2.5 mm

13 MARKING

13.1 Tiles shall be legibly and indelibly marked on the back with the identification of the source of manufacturer. Heavy duty tiles shall be marked 'H'.

13.2 BIS Certification Marking

Each tile may also be marked with the Standard Mark.

13.2.1 The use of the Standard Mark is governed by the provision of the *Bureau of Indian Standards Act, 1986* and the Rules and Regulations made thereunder. The details of conditions under which a licence for the use of the Standard Mark may be granted to manufacturers or producers, may be obtained from the Bureau of Indian Standards.

14 PACKING

The tiles shall be packed according to the usual trade practice and adequately protected.

15 SAMPLING AND CRITERION FOR CONFORMITY

15.1 The consignment of chequered cement concrete flooring tiles shall be divided into a number of lots in

accordance with 15.1.1. Each lot shall be inspected separately for ascertaining its conformity to the requirements of this standard.

15.1.1 Lot

All the chequered cement concrete flooring tiles in a consignment which are of same class, shape and size and manufactured by a single manufacturer from identical raw materials, under identical conditions of manufacture shall be grouped together to constitute a single lot.

15.2 The sample of tiles for inspection and testing shall be chosen from a lot at random. For guidance in procedure of random selection IS 4905 may be referred.

15.3 Number of Samples and Criterion for Conformity

For each characteristic the number of sample tiles to be selected from a lot and the criterion for determining the conformity of the lot on the basis of the test results on those samples, shall be in accordance with inspection level 1 in Table 1 and AQL 6.5 percent in Table 3A of IS 2500 (Part 1).

15.4 If the samples drawn for testing one characteristic can be utilized for testing any other characteristic, without introducing any prejudice in the test results of the latter, it would not be necessary to take fresh samples for the latter characteristics.

ANNEX A

(Clause 2)

LIST OF REFERRED INDIAN STANDARDS

| IS No. | Title | IS No. | Title |
|-------------|---|----------------------|--|
| 44 : 1991 | Iron oxide pigments for paints — Specification (<i>second revision</i>) | (Part 1) : 1991 | Specification: Fly ash based (<i>third revision</i>) |
| 50 : 1980 | Specification for lead and scarlet chromes (<i>third revision</i>) | (Part 2) : 1991 | Calcined clay based (<i>third revision</i>) |
| 54 : 1988 | Specification for green oxide of chromium for paints (<i>second revision</i>) | 2500 (Part 1) : 2000 | Sampling procedure for inspection by attributes: Part 1 Sampling schemes indexed by acceptance quality limit (AQL) for lot-by-lot inspection (<i>third revision</i>) |
| 55 : 1970 | Specification for ultramarine blue for paints (<i>first revision</i>) | 3574 | Specification for organic pigments for paints: |
| 56 : 1993 | Prussian blue (iron blue) for paints — Specification (<i>second revision</i>) | (Part 1) : 1965 | AZO pigments (Toluidine Red; Chlorinated <i>p</i> -Nitroaniline Red; Arylamide Yellows and Para Red) |
| 269 : 1989 | Ordinary Portland cement, 33 grade — Specification (<i>fourth revision</i>) | (Part 2) : 2000 | Phthaloyanines (<i>first revision</i>) |
| 383 : 1970 | Specification for coarse and fine aggregates from natural sources for concrete (<i>second revision</i>) | 4905 : 1968 | Methods for random sampling |
| 411 : 1991 | Titanium dioxide, anatase, for paints — Specification (<i>third revision</i>) | 8041 : 1990 | Rapid hardening Portland cement — Specification (<i>second revision</i>) |
| 455 : 1989 | Specification for Portland slag cement (<i>fourth revision</i>) | 8042 : 1989 | White Portland cement — Specification (<i>second revision</i>) |
| 1237 : 2012 | Cement concrete flooring tiles — Specification (<i>second revision</i>) | 8112 : 1989 | 43 grade ordinary Portland cement — Specification (<i>first revision</i>) |
| 1489 | Portland pozzolana cement — | 12269 : 1987 | Specification for 53 grade ordinary Portland cement |

ANNEX B*(Clause 12.1)***METHOD OF DETERMINATION OF FLATNESS OF TILE SURFACE**

B-1 Six full size tiles selected in accordance with **15** shall be tested in the manner specified in **B-2** to **B-4**.

B-2 Flatness of the tile surface is tested by means of a metal ruler, whose length is not less than the tile diagonal.

B-3 For testing surfaces that are concave, the ruler is placed on the surface of the tile along one of the diagonals so that the ruler touches the tile at not less than two points. The largest gap is measured and the

test is repeated along the second diagonal. The larger gap is the amount of concavity.

B-4 For testing surfaces that are convex, the ruler is placed on the surface of the tile along one of the diagonals so that the distances between the ruler and the tile, at the ends of the diagonal, are equal. The largest gap is measured between the ruler and tile and the test is repeated along the second diagonal. The larger gap is the amount of convexity.

ANNEX C*(Clause 12.2)***METHOD OF THE DETERMINATION OF PERPENDICULARITY**

C-1 Six full size tiles selected in accordance with **15** shall be tested in the manner specified in **C-2**.

C-2 One arm of a 'square', the arms of which are longer than the sides of the tile, is placed along one of the edges of the tile, so that the corner of the 'square' touches the corner of the tile. The

distance between the other arm of the 'square' and the other edge is measured at the end of the tile. The test is repeated such that two opposite edges shall be tested.

C-3 The largest gap between the arm of the 'square' and the edge of the tile shall be reported.

ANNEX D*(Clause 12.3)***METHOD FOR DETERMINATION OF STRAIGHTNESS**

D-1 Six full size tiles selected in accordance with **15** shall be tested in the manner specified in **D-2**.

D-2 Two corners of the tile surface shall be connected with a fine thread alongside one of the edges and the

largest gap between the thread and the plane is recorded. The test is repeated alongside each of the other edges. The gap between the thread and the plane of the tile shall not exceed 1 percent of the edge length.

ANNEX E

(Clause 12.4)

METHOD FOR DETERMINATION OF WATER ABSORPTION

E-1 Six full size tiles selected in accordance with **15** shall be used for the test. They shall be immersed in water for 24 h, then taken out and wiped dry.

E-2 Each tile shall be weighed immediately after saturation and wiping as in **E-1**. The tile shall then be dried to a constant weight in an oven maintained at $110 \pm 5^\circ\text{C}$, cooled to room temperature and re-weighed.

E-3 The water absorption for each tile shall be determined as follows:

$$\text{Water absorption, percent by mass} = \frac{M_1 - M_2}{M_2} \times 100$$

where

M_1 = mass of the saturated specimen, in g; and

M_2 = mass of the oven-dried specimen, in g.

E-4 The average value shall be reported.

ANNEX F

(Clause 12.5)

METHOD FOR DETERMINATION OF WET TRANSVERSE STRENGTH

F-1 Six full size tiles selected in accordance with **15** shall be tested in wet condition after soaking in water for 24 h.

F-2 The specimen shall be placed horizontally on two parallel steel supports, with wearing surface upwards and its sides parallel to the supports. At least one of the supports shall be self-adjusting.

F-3 The load shall be applied by means of a steel rod parallel to the supports and midway between them. The length of the supports and of the loading rod shall be longer than the tile. Their diameter shall be 12 mm. The surface of the rod and supports in contact with the tile shall be rounded. The span between the supports shall be as follows:

| Size of Tile mm | Span mm |
|--------------------|------------|
| 200 × 200 | 150 |
| 250 × 250 | 200 |
| 300 × 300 | 250 |
| 400 × 400 | 350 |

F-4 A plywood padding about 3 mm thick and 20 mm wide shall be placed between the tile and each of the supports and between the tile and the steel rod. The

length of the padding shall be at least as long as the tile.

F-5 The load shall be applied gradually and at a uniform rate not exceeding 2 000 N per minute, until the tile breaks.

F-6 The load P which caused the breaking of the tiles shall be recorded. The thickness shall be determined as the average of two measurements at the location of the fracture, 50 mm from each edge (*see 7.1 and 8.3.2*). The wet transverse strength f shall be calculated as follows:

$$f = \frac{3PI}{2bt^2} \text{ N/mm}^2$$

where

P = breaking load, in N;

I = span between supports, in mm;

b = tile width, in mm; and

t = fracture thickness of the tiles measured from the fracture line, in mm.

F-7 The average wet transverse strength shall be reported.

ANNEX G

(Clause 12.6)

METHOD FOR DETERMINATION OF RESISTANCE TO WEAR

G-1 METHOD

G-1.1 Six full size tiles selected in accordance with 15 shall be tested in the manner specified in G-1.2 to G-1.5.

G-1.2 Preparation of Test Specimens

The test specimens shall be square in shape and of size 70.6 mm × 70.6 mm (that is, 500 mm² in area). They shall be sawn off one only from each tile, preferably from the central part of the tile. The deviation in the length of the specimen shall be within ±2 percent. The surface to be tested shall be ground to remove the grouting/filling.

G-1.3 Apparatus and Accessories

G-1.3.1 Abrasion Testing Machine

The abrasion of specimens shall be carried out in a machine conforming essentially to the requirement given in G-2.

G-1.3.2 The abrasive powder used for the test shall conform to the requirements given in G-3.

G-1.3.3 Measuring Instrument

A suitable instrument capable of measurements to an accuracy of 0.01 mm shall be used for determining the change in the thickness of the specimen after abrasion.

NOTES

1 The arrangement for measurement of thickness with the instrument may be as given in Fig. 1. Shoulders *A* and *B* are right angles and the base *C* is machined at top to an accuracy of 0.01 mm. The test specimen shall be placed on the base with its wearing surface upwards and sides in contact with the shoulders. The measuring instrument (or dial gauge) shall be set up firmly so that the contactor slightly presses on the surface

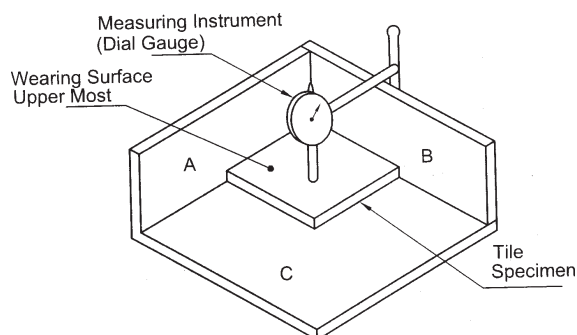


FIG. 1 ARRANGEMENT FOR MEASUREMENT OF THICKNESS

of the specimen and the reading of the instrument taken. The position of the dial gauge and the sitting of the contactor shall be the same during the subsequent measurement after abrasion.

2 The measurement for thickness both before and after the test shall be taken at five points (one at the centre and four at the corners) as shown in Fig. 2.

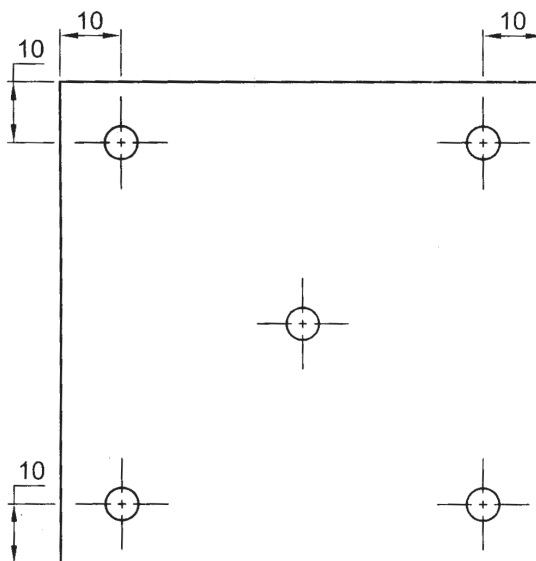


FIG. 2 POINT SHOWING MEASUREMENT OF THICKNESS

G-1.4 Procedure of Test

The specimens shall be dried at $110 \pm 5^\circ\text{C}$ for 24 h and then weighed to the nearest 0.1 g. The specimen after initial drying and weighing shall be placed in the thickness measuring apparatus (see G-1.3.3, Note 1) with its wearing surface upwards and the reading of the measuring instrument taken.

G-1.4.1 The grinding path of the disc of the abrasion testing machine (see G-2) shall be evenly strewn with 20 g of the abrasive powder. The specimen shall then be fixed in the holding device with the surface to be ground facing the disc, and loaded at the centre with 300 N. The grinding disc shall then be put in motion at a speed of 30 rev/min and the abrasive powder is continuously fed back on to the grinding path so that it remains uniformly distributed in a track corresponding to the width of the test piece. After every 22 revolutions, the disc shall be stopped, the abraded tile powder and the remainder of the abrasive powder shall be removed from the disc, and fresh abrasive powder in quantities of 20 g applied each time. After every 22 revolution the specimen shall be turned about the vertical axis through an angle of 90° in the

clockwise direction and it should be repeated 9 times thereby giving total number of revolutions of 220. The disc, the abrasive powder and the specimen shall be kept dry throughout the duration of the test. After the abrasion is over, the specimen shall be re-weighed to the nearest 0.1 g. It shall then be placed in the thickness measuring apparatus once again in an identical manner and the reading taken with the same position and setting of the dial gauge as for the measurement before abrasion.

NOTE — If, after the specimen has been subjected to the abrasion test, it is found that the tile has chipped off at any of the points of measurement, that measurement should be discarded in calculating the average. However, a minimum of three residual measurements on a specimen should be ensured.

G-1.5 Determination of Wear

The wear shall be determined from the difference in readings obtained by the measuring instrument before and after the abrasion of the specimen. The value shall be checked up with the average loss in thickness of the specimen obtained by the following formula:

$$t = \frac{(W_1 - W_2)V_1}{W_1 \cdot A}$$

where

- t = average loss in thickness, in mm;
- W_1 = initial mass of the specimen, in g;
- W_2 = final mass of the abraded specimen, in g;
- V_1 = initial volume of the specimen, in mm³; and
- A = surface area of the specimen, in mm².

G-1.6 The average wear and the wear on individual specimens shall be reported.

G-2 ESSENTIAL REQUIREMENTS OF THE ABRASION TESTING MACHINE

G-2.1 General

The testing apparatus shall be a grinding device consisting essentially of a horizontally fixed smooth grinding disc of about 750 mm diameter rotating about a vertical axis and furnished with a replaceable grinding path. The essential features are shown in Fig. 3.

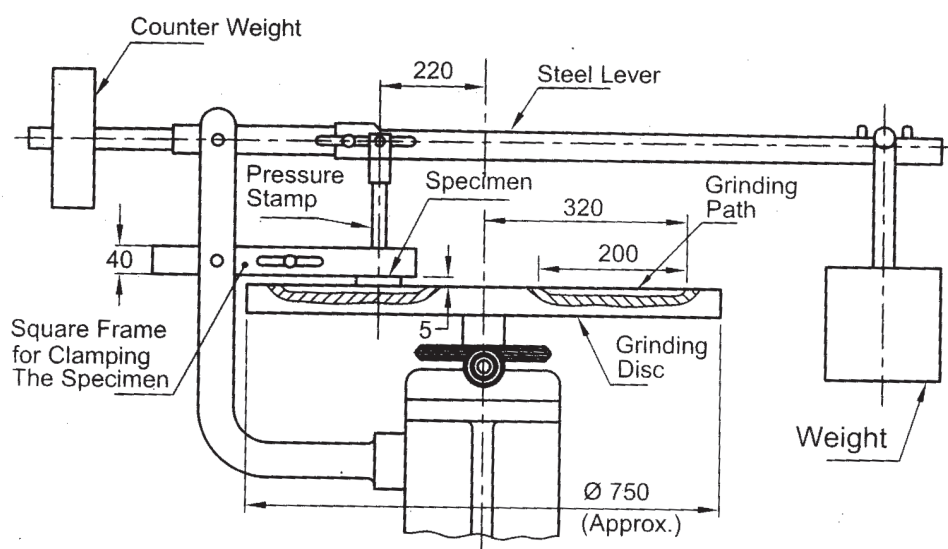
G-2.2 Grinding Path

G-2.2.1 Cast iron shall be used as the material for grinding path. Its scaleroscope hardness shall lie between 30 and 50. This hardness shall be ascertained at least 10 times on the rim and at several points in the grinding path by means of a Shore’s scaleroscope with diamond hammer.

G-2.2.2 The grinding path shall be a 200 mm wide annular space on the grinding disc between distances of 120 mm and 320 mm from the centre. The grinding path shall be repaired and restored when it has worn out by more than 0.5 mm after use or when the furrows formed in it exceed 0.2 mm in depth. When the grinding path is restored, its hardness shall be determined afresh. When irreparable, it shall be changed.

G-2.3 Rotation Disc

The disc shall be driven at 30 rev/min. The speed of rotation shall not deviate by more than one revolution per minute. There shall be automatic mechanisms for counting, indicating the revolutions of the disc and for stopping the



All dimensions in millimetres.

FIG. 3 GENERAL FEATURES OF ABRASION TESTING MACHINES

disc after every 22 revolutions. Such mechanisms shall be checked for reliability prior to the test.

G-2.4 Holding Device for Test Specimen

The holding device shall consist of a square frame, open on one side and made of cast iron or steel. It shall be of about 40 mm height, with its lower edge about 5 mm above the surface of the grinding disc and so positioned that its centre is at a distance of 220 mm from the centre of the disc. It shall necessarily, but loosely, hold the specimen.

G-2.5 Loading Device

G-2.5.1 The loading device shall consist of a steel lever. A short arm of the lever shall be provided with a counter weight just to balance the weight of the long arm and of the weighing disc, so that the pressure stamp just touches the specimen prior to the loading.

G-2.5.2 The lever shall move freely about the fulcrum without appreciable friction. During test, the lever shall remain nearly parallel to the upper surface of the disc. The connection of the pressure stamp to the lever shall be through a self-aligning joint permitting free relative movement but at the same time ensuring a central load on the specimen being tested.

G-2.5.3 Suitable loading weight shall be applied at the end of the long arm of the lever so that, as magnified by the leverage, a net load of 300 N is applied through the pressure stamp on to the specimen. The load shall be applied with a permissible deviation of one percent.

The accuracy of the load shall be verified both by calculation and by measurement with suitable instruments.

G-3 REQUIREMENT FOR ABRASIVE POWDER TO BE USED IN THE ABRASION TEST

G-3.1 Chemical Composition

The abrasive powder shall have a aluminium oxide content of not less than 95 percent by mass.

G-3.2 Shape and Size

The grains shall be of rounded shape. The size shall conform to the requirements given in Table 3.

Table 3 Requirements for Size

| Sl No. (1) | Size (2) | Percentage by Mass (3) |
|---------------|---|---------------------------|
| i) | Retained on 355 micron IS Sieve | Nil |
| ii) | Retained on 250 micron IS Sieve | 0-15 |
| iii) | Retained on 212 micron IS Sieve | 45, <i>Min</i> |
| iv) | Retained on 212 and 180 micron IS Sieve | 70, <i>Min</i> |
| v) | Passing 150 micron IS Sieve | 3, <i>Max</i> |

G-3.3 Specific Gravity

The specific gravity of the grains shall be between 3.9 and 4.1.

G-3.4 Hardness

The grains shall generally have a hardness of 9 in Moh's scale.

ANNEX H

(Foreword)

COMMITTEE COMPOSITION

Flooring, Wall Finishing and Roofing Sectional Committee, CED 5

| <i>Organization</i> | <i>Representative(s)</i> |
|--|--|
| Institution of Engineers (India), New Delhi | SHRI P. B. VIJAY (<i>Chairman</i>) |
| Border Roads Organization, New Delhi | SHRI U. K. PANDEY |
| Building Materials & Technology Promotion Council, New Delhi | SHRI S. K. GUPTA SHRI PANKAJ GUPTA (<i>Alternate</i>) |
| Carborundum Universal Limited, Chennai | SHRI R. RAJAGOPALAN DR P. SACHINDRAPAL (<i>Alternate</i>) |
| Central Building Research Institute, Roorkee | SHRI B. K. RAO SHRI ACHAL KUMAR MITTAL (<i>Alternate</i>) |
| Central Glass & Ceramic Research Institute, Naroda | REPRESENTATIVE |
| Central Public Works Department, New Delhi | CHIEF ENGINEER (CSQ) SUPERINTENDING ENGINEER (S&S) (<i>Alternate</i>) |

IS 13801 : 2013

| <i>Organization</i> | <i>Representative(s)</i> |
|--|---|
| Central Road Research Institute, New Delhi | DR S. D. SHARMA |
| Construction Industry Development Council, New Delhi | SHRI P. R. SWARUP SHRI RAVI JAIN (<i>Alternate</i>) |
| Delhi Development Authority, New Delhi | CHIEF ENGINEER SUPERINTENDING ENGINEER (<i>Alternate</i>) |
| Dyna Bricks (I) Pvt Ltd, Noida | SHRI ASHUTOSH DIKSHIT |
| Engineer-in-Chief's Branch, New Delhi | SHRIMATI UPINDER KAUR SHRIMATI RIVOO MAHINDRU (<i>Alternate</i>) |
| Engineers India Limited, New Delhi | SHRI J. K. BHAGCHANDANI SHRI S. MAJUMDAR (<i>Alternate</i>) |
| Grasim Industries Limited, Mumbai | SHRI P. K. RAY SHRI BHAWNESH KUMAR (<i>Alternate</i>) |
| Gujrat Ceramic Floor Tiles Manufacturers Association, Morbi | SHRI VELJIBHAI K. PATEL SHRI PANCHANBHAI M. PATEL (<i>Alternate</i>) |
| H. R. Johnson (India) Limited, Mumbai | SHRI G. S. PATNAIK SHRI ARUN RAO (<i>Alternate</i>) |
| Indian Council of Ceramic Tiles & Sanitaryware, New Delhi | REPRESENTATIVE |
| Indian Institute of Technology, New Delhi | DR SUPRATIC GUPTA |
| Lloyd Insulation (India) Pvt Limited, New Delhi | SHRI MOHIT KHANNA SHRI I. K. K. MITRA (<i>Alternate</i>) |
| Masonry Producer Association of India, Chennai | SHRI T. S. MURLI DR CHRISTOPHER SAMUEL (<i>Alternate</i>) |
| Modern Tiles & Marble, New Delhi | SHRI SUBHASH KAPOOR SHRI KAMESWAR RAU (<i>Alternate</i>) |
| Mumbai Municipal Corporation, Mumbai | REPRESENTATIVE |
| Municipal Corporation of Delhi, New Delhi | DR S. RAMESH |
| National Council for Cement and Building Materials, Ballabgarh | SHRI S. K. BREJA |
| National Highways Authority of India, New Delhi | SHRI S. C. JINDAL SHRI R. P. KHANDELWAL (<i>Alternate</i>) |
| National Test House (NR), Kolkata | SHRI D. V. S. PRASAD SHRI ALOKE DEV (<i>Alternate</i>) |
| National Tiles Corporation, Panchkula | SHRI PREM CHAND GUPTA SHRI S. R. GARG (<i>Alternate</i>) |
| Premier Polyfilm Ltd, Ghaziabad | DR SANJEEV K. VERMA SHRI R. K. NARAD (<i>Alternate</i>) |
| Research, Designs and Standards Organization, Lucknow | EXECUTIVE ENGINEER (P&D II) EXECUTIVE ENGINEER (P&D I) (<i>Alternate</i>) |
| Shriram Institute of Industrial Research, New Delhi | REPRESENTATIVE |
| Super Tiles & Marble Pvt Ltd, Mumbai | SHRI ASHOK RAJPUROHIT SHRI SUDHAKAR MODI (<i>Alternate</i>) |
| In personal capacity (<i>C-474 B, Sushant Lok, Phase I, Gurgaon</i>) | SHRI O. P. RATRA |
| BIS Directorate General | SHRI A. K. SAINI, Scientist 'F' & Head (CED) [Representing Director General (<i>Ex-officio</i>)] |

Member Secretary
SHRI J. ROY CHOWDHURY
Scientist 'E' (CED), BIS

Bureau of Indian Standards

BIS is a statutory institution established under the *Bureau of Indian Standards Act, 1986* to promote harmonious development of the activities of standardization, marking and quality certification of goods and attending to connected matters in the country.

Copyright

BIS has the copyright of all its publications. No part of these publications may be reproduced in any form without the prior permission in writing of BIS. This does not preclude the free use, in the course of implementing the standard, of necessary details, such as symbols and sizes, type or grade designations. Enquiries relating to copyright be addressed to the Director (Publications), BIS.

Review of Indian Standards

Amendments are issued to standards as the need arises on the basis of comments. Standards are also reviewed periodically; a standard along with amendments is reaffirmed when such review indicates that no changes are needed; if the review indicates that changes are needed, it is taken up for revision. Users of Indian Standards should ascertain that they are in possession of the latest amendments or edition by referring to the latest issue of 'BIS Catalogue' and 'Standards : Monthly Additions'.

This Indian Standard has been developed from Doc No.: CED 5 (7606).

Amendments Issued Since Publication

| Amend No. | Date of Issue | Text Affected |
|-----------|---------------|---------------|
| | | |
| | | |
| | | |
| | | |

BUREAU OF INDIAN STANDARDS

Headquarters:

Manak Bhavan, 9 Bahadur Shah Zafar Marg, New Delhi 110002
Telephones : 2323 0131, 2323 3375, 2323 9402 Website: www.bis.org.in

Regional Offices:

| | Telephones |
|--|--|
| Central : Manak Bhavan, 9 Bahadur Shah Zafar Marg NEW DELHI 110002 | { 2323 7617 2323 3841 |
| Eastern : 1/14 C.I.T. Scheme VII M, V. I. P. Road, Kankurgachi KOLKATA 700054 | { 2337 8499, 2337 8561 2337 8626, 2337 9120 |
| Northern : SCO 335-336, Sector 34-A, CHANDIGARH 160022 | { 260 3843 260 9285 |
| Southern : C.I.T. Campus, IV Cross Road, CHENNAI 600113 | { 2254 1216, 2254 1442 2254 2519, 2254 2315 |
| Western : Manakalaya, E9 MIDC, Marol, Andheri (East) MUMBAI 400093 | { 2832 9295, 2832 7858 2832 7891, 2832 7892 |

Branches: AHMEDABAD. BANGALORE. BHOPAL. BHUBANESHWAR. COIMBATORE. DEHRADUN. FARIDABAD. GHAZIABAD. GUWAHATI. HYDERABAD. JAIPUR. KANPUR. LUCKNOW. NAGPUR. PARWANOO. PATNA. PUNE. RAJKOT. THIRUVANANTHAPURAM. VISAKHAPATNAM.